



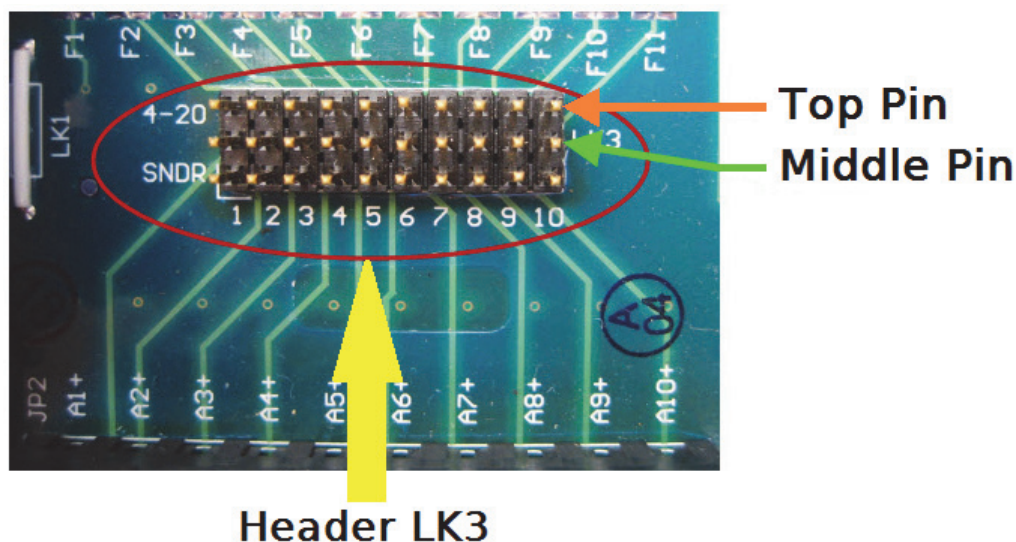
## Interchange™ Comm Control Module, MX5 Series

Before using this product, please read and follow all procedures in the **INSTALLATION & OPERATIONS MANUAL (00-02-0628)**, and in this document.

### Analog Input

Jumper placement determines the Analog Input signal type. Analog Input jumpers should be checked for proper placement prior to placing the **Interchange Comm Control Module** into service.

You **must** physically check the jumper positions on header **LK3**, as shown below.



To set the Analog Input to **0-24 mA**, jumper between the **Top** pin and the **Middle** pin.

To set Analog Input to **0-5 VDC**, remove all jumpers.

#### FW MURPHY

P.O. Box 470248  
Tulsa, Oklahoma 74147 USA  
Phone: +1 918 317 4100 Fax: +1 918 317 4266  
E-mail: sales@fwmurphy.com

#### INDUSTRIAL PANEL DIVISION

Fax: +1 918 317 4124  
E-mail: ipdsales@fwmurphy.com

#### MURPHY POWER IGNITION

Web site: www.murphy-pi.com

#### CONTROL SYSTEMS & SERVICES DIVISION

P.O. Box 1819  
Rosenberg, Texas 77471 USA  
Phone: +1 281 633 4500 Fax: +1 281 633 4588  
E-mail: css-solutions@fwmurphy.com

#### FRANK W. MURPHY LTD.

Church Road, Laverstock  
Salisbury, SP1 1QZ, UK  
Phone: +44 1722 410055 Fax: +44 1722 410088  
E-mail: sales@fwmurphy.co.uk  
Web site: www.fwmurphy.co.uk

#### FW MURPHY INSTRUMENTS (HANGZHOU) CO., LTD.

77 23rd Street  
Hangzhou Economic & Technological Development Area  
Hangzhou, Zhejiang, 310018, China  
Phone: +86 571 8788 6060 Fax: +86 571 8684 8878  
E-mail: apsales@fwmurphy.com



USA-ISO 9001:2008 FM 28221  
UK-ISO 9001:2008 FM 29422  
CHINA-ISO 9001:2008 FM 523851  
Registered Facilities

#### COMPUTRONIC CONTROLS

41 - 46 Railway Terrace  
Nechells, Birmingham, B7 5NG, UK  
E-mail: sales@computroniccontrols.com  
Web site: www.computroniccontrols.com



www.fwmurphy.com

05/05/2011

00-02-0833  
02/17/2012