

UST100/OST100 series

**UNDER AND OVER SPEED/FREQUENCY TRIPS
SINGLE PHASE AC INPUT, DC POWERED**

A range of DC powered, relay-based devices which monitor the frequency of a single phase and neutral AC supply and trip at set limits. The units are typically used to protect power generators and their loads during high or low speed/frequency conditions.

Each trip contains a two pole change-over relay configured to be energised at normal frequencies. The trip frequency is normally factory set to customer order, but may be adjusted if required by use of a multi-turn potentiometer on the case top.

Under speed trip relays de-energise if the AC input frequency falls below the set level. The relay automatically re-energises if the frequency returns above the set level.

Over speed trip relays de-energise if the AC input frequency rises above the set level. The relay automatically re-energises if the frequency falls below the set level.

The pin selectable 12V or 24V DC power supply allows the UST and OST to operate on total loss of AC input signal.

All UST and OST units are housed in an 11 pin plug-in case, designed for use with separate DIN rail or surface mounted bases.

Standard units are:-

- UST100** Under speed trip relay, 110 VAC input
- UST101** Under speed trip relay, 230 VAC input
- OST100** Over speed trip relay, 110 VAC input
- OST101** Over speed trip relay, 230 VAC input

When ordering, please specify:-

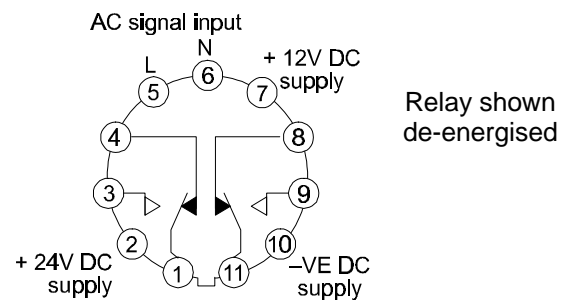
- a) Product type number (UST or OST)
- b) Nominal input/supply voltage (110 or 230 VAC)
- c) Trip frequency (e.g. 45 Hz., 56Hz, etc)



Product Specifications

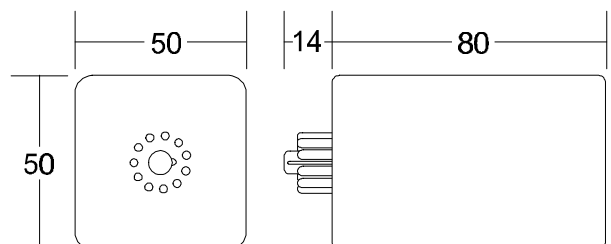
DC power supply:	
operating voltage range	12V pin: 9 - 15 VDC 24V pin: 18 - 30 VDC
power consumption	< 2 W
AC input:	
voltage range	UST/OST100: 50 - 150 VAC UST/OST101: 150 - 250 VAC
Trip point::	
trip frequency	factory set, 40 - 70 Hz.
trip temperature drift	< 0.01% per °C
Relay output: <i>(all ratings for resistive load)</i>	
contact type	volt free DPCO contacts
current rating	5 A max. @ 240 V AC1
rated operations	2 x 10 ⁵ operations
General:	
operating temperature	-10 to +55°C
weight	approx. 150 g
electromagnetic compatibility	to EN50081-1/EN50082-1

Connection



Relay shown de-energised

Dimensions



Frank W. Murphy Ltd.
Incorporating Modex Automation
Church Road, Laverstock, Salisbury U.K.
Tel: + 44 1722 410055 Fax: + 44 1722 410088
Pour service en Français, tel: + 44 1722 410697
email: sales@fwmurphy.co.uk
web: http://www.fwmurphy.co.uk

Frank W. Murphy Ltd. en France
Tel: + 33 (1) 30 76 26 26 Fax: + 33 (1) 30 76 39 89
Direct usine Tel: +44 1722 410697
email: sales@fwmurphy.co.uk

Frank W. Murphy Pte, Ltd.
No. 2 Tuas South Street 2, Sprintecs Building
#02-01/02, Singapore 637895
Tel: +65 863 1398 Fax: +65 863 0208
email: fwmsales@fwmurphy.com.sg

Frank W. Murphy Manufacturer
PO Box 470248, Tulsa, Oklahoma 74147, USA
Tel: + 1 918 627 3550 Fax: + 1 918 664 6146
email: sales@fwmurphy.com
web: http://www.fwmurphy.com

Frank W. Murphy Southern Division
PO Box 1819, Rosenberg, Texas 77471, USA
Tel: + 1 281 342 0297 Fax: + 1 281 341 6006
email: sales@fwmurphy.com

Murphy Switch of California
PO Box 900788, Palmdale, California 93590, USA
Tel: + 1 805 272 4700 Fax: + 1 805 947 7570
email: sales@murphyswitch.com
web: http://www.murphyswitch.com

Murphek Pty. Ltd.
1620 Hume Highway, Campbellfield, Vic. 3061 Australia
Tel: + 61 3 9358 5555 Fax: + 61 3 9358 5558
email: murphy@macquarrie.com.au

Murphy de Mexico S.A. de C.V.
Blvd. Antonio Rocha Cordero 300, Fracción del Aguaje
San Luis Potosí, S.L.P. México 78384
Tel: + 52 48 206264 Fax: + 52 48 206336
email: murxels@sanluis.podernet.com.mx