

76.PS Pressure Switch

ys6337
revision C, 9th April 2003
catalogue section 05

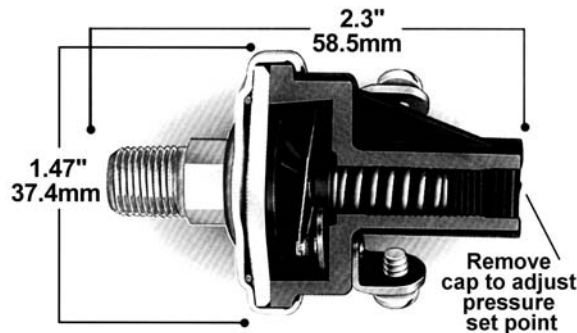


Description

A compact and economical pressure switch for extended duty applications. The switch is primarily designed for direct engine mounting, to provide electrical signalling of a low oil pressure fault.

The isolated switch contacts are factory set to close below 15 psi (1 bar), but may be adjusted between 14 and 24 psi (1.0 and 1.6 bar). The polyimide Kapton diaphragm is compatible with air, engine oil and other hydrocarbon media (contact with water-based fluids is not recommended).

Dimensions



How to order

Stock code	Description
76.PS.0015	1/8" NPT, 15 psi setting, SPNC contacts
76.PS.0001	1/8" NPT, 15 psi setting, SPDT contacts
76.PS.0001-xxx	Special setting versions of above, where xxx = required set point pressure

Special variations on pressure range and contacts are available for volume orders. Please contact our sales office for details.

- **Rugged, compact design**
- **Extended duty applications**
- **Field adjustable**
- **Wide operating pressure and temperature ranges**

Product specification

Construction:-	
base	plated steel
cover	glass reinforced polyester
diaphragm	polyimide film
Pressure ratings:	
factory setting	15 psi / 1 bar
set point adjustment range	14–24 (±3) psi / 1.0–1.6 (±0.2) bar
set point adjustment	7/32" Allen key, 1 turn = 5 psi / 0.3 bar clockwise to increase
max. operating pressure	150 psi / 10 bar
proof pressure	500 psi / 34 bar
burst pressure	750 psi / 51 bar
Contacts:	
type:	optional SPNC or SPDT direct action blade contacts (NC contact closes on low pressure),
ratings (resistive DC)	silver alloy, gold plated. 15 Amp @ 6 VDC 8 Amp @ 12 VDC
ratings (inductive AC)	4 Amp @ 24 VDC 1 Amp @ 120 VAC 0.5 Amp @ 240 VAC
Physical:	
pressure connector	1/8" - 27 NPT male thread
electrical terminals	#8-32 screws
operating temperature	-40 to +121°C / -40 to 250°F
dimensions	see diagram left
weight	approx 65g

Warranty

A one year limited warranty on materials and workmanship is given with this product. Details are available on request and at www.fwmurphy.co.uk/warranty.

MURPHY

FW Murphy
PO Box 470248
Tulsa, Oklahoma 74147, USA
tel: +1 918 317 4100
fax: +1 918 317 4266
email: sales@fwmurphy.com
web: www.fwmurphy.com

CONTROL SYSTEMS AND SERVICES DIVISION
PO Box 1819, Rosenberg, Texas 77471, USA
tel: +1 281 633 4500
fax: +1 281 633 4588
email: sales@fwmurphy.com

MURPHY DE MEXICO S.A. DE C.V.
Blvd. Antonio Rocha Cordero 300, Fracción del Aguaje
San Luis Potosí, S.L.P. México 78384
tel: +52 444 8206264
fax: +52 444 8206336
Villahermosa office tel: +52 993 3162117
email: ventasmex@murphymex.com.mx
web: www.murphymex.com.mx

FRANK W. MURPHY LTD.
Church Rd, Laverstock, Salisbury, SP1 1OZ, UK
tel: +44 1722 410055
fax: +44 1722 410088
email: sales@fwmurphy.co.uk
web: www.fwmurphy.co.uk

MURPHY SWITCH OF CALIFORNIA
41343 12th Street West,
Palmdale, CA 93551-1442, USA
tel: +1 661 272 4700
fax: +1 661 947 7570
email: sales@murphyswitch.com
web: www.murphyswitch.com

MACQUARRIE CORPORATION
1620 Hume Highway,
Campbellfield, Victoria 3061, Australia
tel: +61 3 9358 5555
fax: +61 3 9358 5558
email: murphy@macquarrie.com.au



USA - ISO9001:2000 FM 28221
UK - ISO9001:2000 FM 29422

In order to consistently bring you the highest quality, full featured products, we reserve the right to change our specifications and designs at any time.